

RFC series female thread



Specification

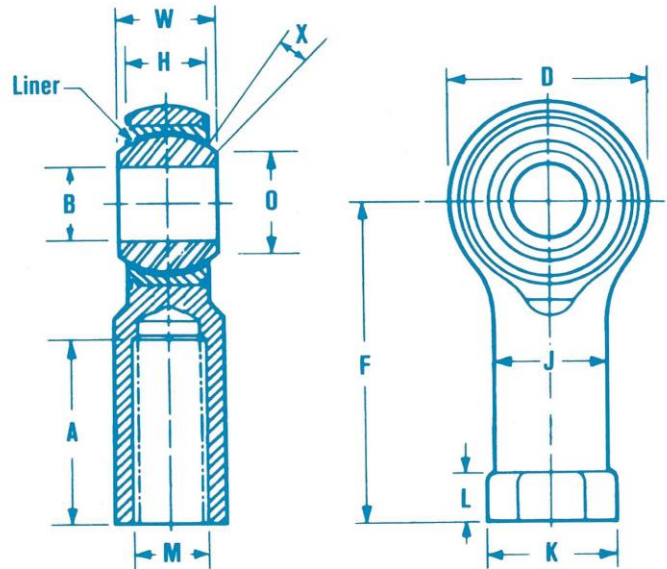
- Housing** Manganese molybdenum steel.
Phosphated all over.
- Ball** 1% carbon chromium steel.
Heat treated.
Chromium plated on the spherical surface.
- Liner** Reinforced PTFE.
- Stainless steel** All the units on this page are available in stainless steel. The last letter of the designation changes from C to R. All dimensions are unchanged.

Temperature and fits

The normal maximum operating temperature for these rod ends is 120°C, although Rose Bearings technical department should be consulted where the normal operating temperature exceeds 80°C.

There is no measurable clearance in these rod ends in the no load condition, and the tightness of the rod end is measured by the breakaway torque as indicated below.

Bearing size No load breakaway torque (lb/in)
RFC
04-12 0-5



Imperial dimensions

| Bearing number | B | W | H | O | D | F | L | A | K | J | M | X | Ball dia nom | Maximum static radial load in pounds approx | Weight in pounds each approx |
|----------------|----------------|--------------|---------------|---------------|--------------|---------------|--------------|---------------|--------------|--------------|-------------|-----------|--------------|---------------------------------------------|------------------------------|
| | Bore | Ball width | Housing width | Ball flat dia | Head dia | Centre length | | Thread length | | Shank dia | Thread size | Angle deg | | | |
| | +0015 -0005 | +000 -005 | +005 -005 | | +010 -010 | +015 -015 | +010 -010 | +060 -030 | +010 -010 | +010 -010 | UNF 2B | | | | |
| RFC 04U | .2500 | .375 | .281 | .355 | .812 | 1.312 | .187 | .750 | .468 | .375 | .250-28 | 16.5 | .516 | 3 880 | .057 |
| RFC 05U | .3125 | .437 | .344 | .447 | 1.000 | 1.375 | .187 | .750 | .500 | .437 | .312-24 | 13.5 | .625 | 6 470 | .091 |
| RFC 06U | .3750 | .500 | .406 | .517 | 1.125 | 1.625 | .250 | .937 | .687 | .562 | .375-24 | 12.0 | .719 | 8 190 | .148 |
| RFC 08U | .5000 | .625 | .500 | .698 | 1.375 | 2.125 | .250 | 1.187 | .875 | .750 | .500-20 | 11.0 | .937 | 11 200 | .301 |
| | +0015 -0005 | +000 -005 | +005 -005 | | +030 -010 | +030 -015 | Min | +060 -030 | +015 -015 | +015 -015 | | | | | |
| RFC 10U | .6250 | .750 | .562 | .832 | 1.625 | 2.500 | .312 | 1.500 | 1.000 | .875 | .625-18 | 13.5 | 1.125 | 14 700 | .460 |
| RFC 12U | .7500 | .875 | .687 | .978 | 1.875 | 2.875 | .312 | 1.750 | 1.125 | 1.000 | .750-16 | 11.5 | 1.312 | 19 750 | .725 |

For left hand thread insert L in bearing number eg. RFLC 04U.

For BSF threads on Imperial units delete letter U in part number, eg. RFC 04.

Other bearings outside the above range can be obtained, but will not be so readily available.